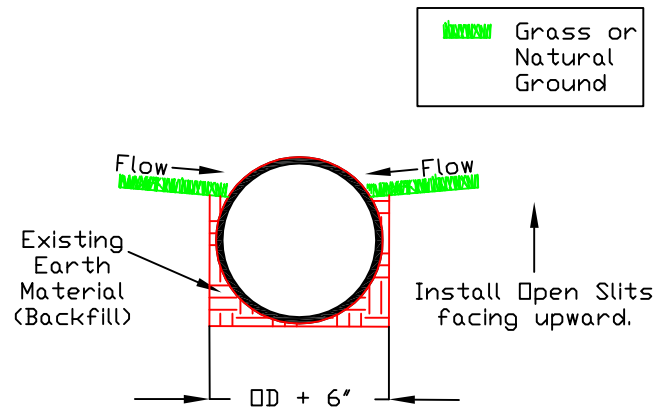


SURFACE INSTALLATION
IPGC Surface Trench Drain
On-Grade or Sump Locations

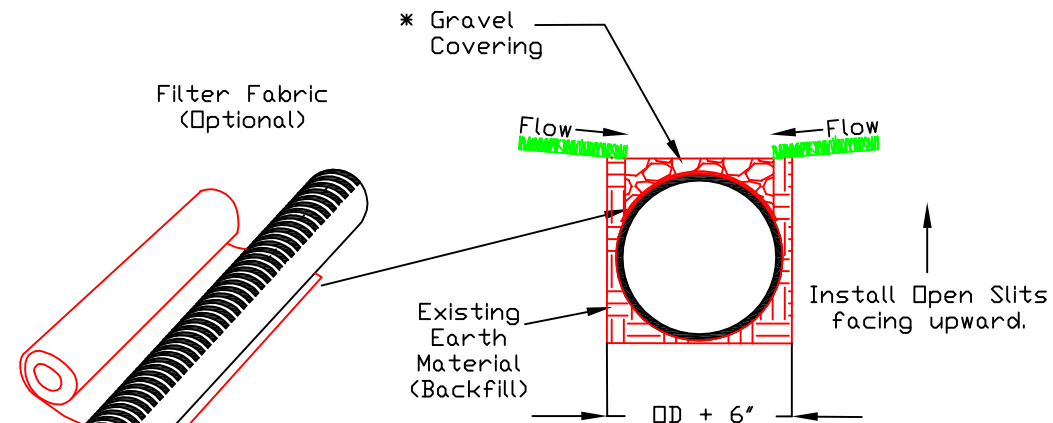


Recommended Trench Specifications

This detail is recommended only for installation in vegetated areas not subject to substantial sediment inflow which would otherwise dictate a specific need for a filter fabric wrapping and/or gravel covering over the IPGC pipe.

Do not install IPGC Schedule 40 PVC in paved areas. Paved areas shall include roadways, driveways, parking areas and other paved areas subject to traffic loading. Gravel Under Bedding is optional.

BELOW GRADE INSTALLATION
IPGC Sub-Surface Trench Drain
On Grade or Sump Locations



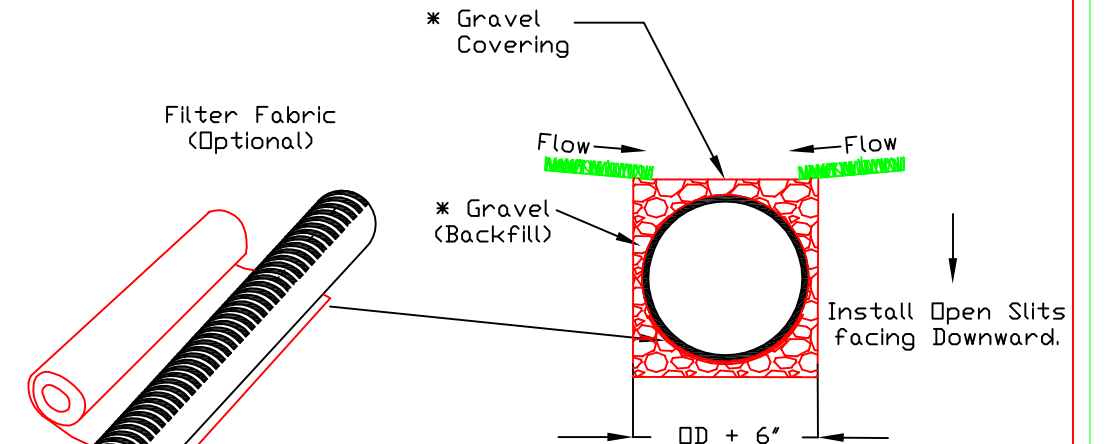
Recommended Trench Specifications

* Use at least 5/8" Dia. gravel. The cover depth will vary depending on pipe slope constraints. Recommend less than or equal to 3" for typical installations.

Do not install IPGC Schedule 40 PVC in paved areas. Paved areas shall include roadways, driveways, parking areas and other paved areas subject to traffic loading.

Filter fabric is optional if gravel backfill covers open slits. Gravel under-bedding is also optional.

BELOW GRADE INSTALLATION
IPGC French Drain



Recommended Trench Specifications

* Use at least 5/8" dia. gravel. The cover depth will vary depending on pipe slope constraints. Use 5/8" diameter gravel for trench backfill. Depth will vary depending on pipe slope constraints. Recommend at least 3" Gravel Covering for typical installations and 1-2" bottom layer.

Do not install IPGC Schedule 40 PVC in paved areas. Paved areas shall include roadways, driveways, parking areas and other paved areas subject to traffic loading.

Filter fabric is optional if gravel backfill covers open slits.

RECOMMENDED IPGC TRENCH DETAILS & SPECIFICATIONS